

FUNCTION

Manual valves and lockshields are articles used to shut off and adjusting the flow rate of the heat transfer fluid to the radiators of air conditioning systems.

Both manual valves that the lockshields of this series are complete with nuts and unions that allow connection to the radiator in a simple and safe way.

The connections for the pipes instead are specific to the iron pipe with threads from G3/8", G1/2", G3/4".



803



813



803+940



836-838



832-834



813+940

PRODUCTS

MANUAL VALVES COPPER PIPE, MULTILAYER AND Pe-X

		<i>Connection</i>	<i>Radiator</i>
82836AC06	Angle manual valve for copper pipe, multilayer and Pe-X	G 1/2" M	G 3/8" M
82836AD06	Angle manual valve for copper pipe, multilayer and Pe-X	G 1/2" M	G 1/2" M
82838AC06	Angle manual valve for copper pipe, multilayer and Pe-X	24X1,5	G 3/8" M
82838AD06	Angle manual valve for copper pipe, multilayer and Pe-X	24X1,5	G 1/2" M
82832AC06	Straight manual valve for copper pipe, multilayer and Pe-X	G 1/2" M	G 3/8" M
82832AD06	Straight manual valve for copper pipe, multilayer and Pe-X	G 1/2" M	G 1/2" M
82834AC06	Straight manual valve for copper pipe, multilayer and Pe-X	24X1,5	G 3/8" M
82834AD06	Straight manual valve for copper pipe, multilayer and Pe-X	24X1,5	G 1/2" M
82826AC06	Angle manual valve for copper pipe, multilayer and Pe-X	G 1/2" M	G 3/8" M
82826AD06	Angle manual valve for copper pipe, multilayer and Pe-X	24X1,5	G 1/2" M
82828AC06	Straight manual valve for copper pipe, multilayer and Pe-X	G 1/2" M	G 3/8" M
82828AD06	Straight manual valve for copper pipe, multilayer and Pe-X	24X1,5	G 1/2" M
82804AC06	Angle manual valve for copper pipe, multilayer and Pe-X	G 1/2" M	G 3/8" M
82804ADAD	Angle manual valve for copper pipe, multilayer and Pe-X	G 1/2" M	G 1/2" M
82804AD06	Angle manual valve for copper pipe, multilayer and Pe-X	24X1,5	G 1/2" M
82814AD06	Straight manual valve for copper pipe, multilayer and Pe-X	G 1/2" M	G 3/8" M
82814AD06	Straight manual valve for copper pipe, multilayer and Pe-X	24X1,5	G 1/2" M

LOCKSHIELDS

		Connection	Radiator
82802AC06	Angle manual valve for iron pipe	G 3/8" F	G 3/8" M
82802AD06	Angle manual valve for iron pipe	G 1/2" F	G 1/2" M
82802AE06	Angle manual valve for iron pipe	G 3/4" F	G 3/4" M
82812AC06	Straight manual valve for iron pipe	G 3/8" F	G 3/8" M
82812AD06	Straight manual valve for iron pipe	G 1/2" F	G 1/2" M
82812AE06	Straight manual valve for iron pipe	G 3/4" F	G 3/4" M
82803AC06	Angle manual valve for iron pipe	G 3/8" F	G 3/8" M
82803AD06	Angle manual valve for iron pipe	G 1/2" F	G 1/2" M
82803AE06	Angle manual valve for iron pipe	G 3/4" F	G 3/4" M
82803AD06 940	Angle manual valve for iron pipe	G 1/2" F	G 1/2" M
82803AE06 940	Angle manual valve for iron pipe	G 3/4" F	G 3/4" M
82813AC06	Straight manual valve for iron pipe	G 3/8" F	G 3/8" M
82813AD06	Straight manual valve for iron pipe	G 1/2" F	G 1/2" M
82813AE06	Straight manual valve for iron pipe	G 3/4" F	G 3/4" M
82813AD06 940	Straight manual valve for iron pipe	G 1/2" F	G 1/2" M
82813AE06 940	Straight manual valve for iron pipe	G 3/4" F	G 3/4" M
82161GE06	Angle manual valve for iron pipe	/	G 1/2" M

TECHNICAL FEATURES

Technical data

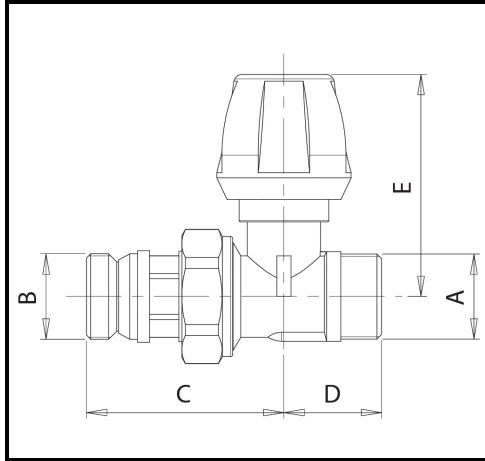
Fluids used:	Water and glycol solutions
Max glycol rate:	30%
Max working pressure:	10 Bar
Max differential pressure:	1 Bar
Heat transfer fluid temperature:	5÷120 °C

Materials

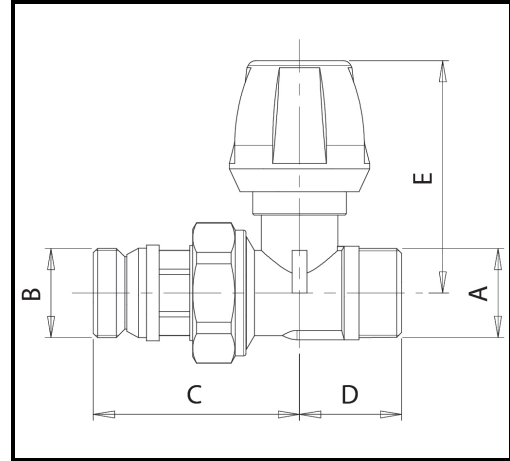
Body, nut and union:	Brass CW617N - UNI 12165 - Nickel
Control rod:	Brass CW614N - UNI 12164
Hydraulic seals:	EPDM Peroxide
Control knob:	ABS white

CODES AND DIMENSIONS

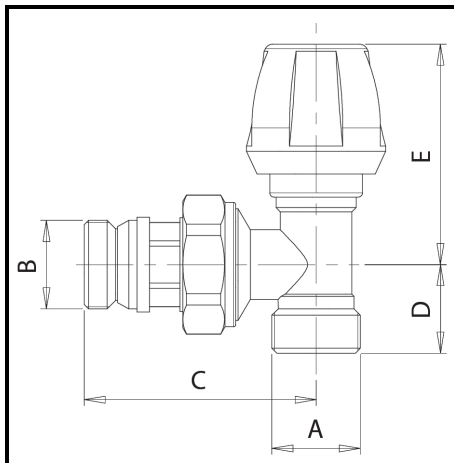
MANUAL VALVES COPPER PIPE, MULTILAYER AND Pe-X



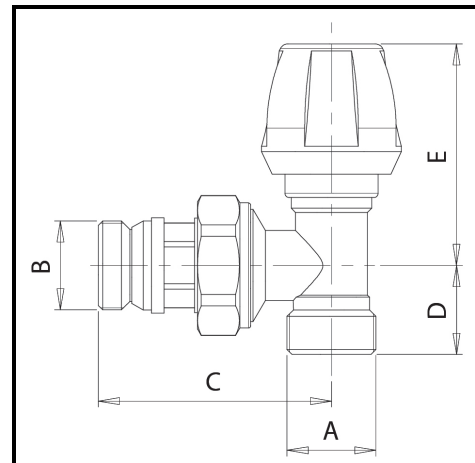
CODE	A	B	C	D	E
82832AC06	G1/2"	G3/8"	47	24	54,5
82832AD06	G1/2"	G1/2"	48,5	24	54,5



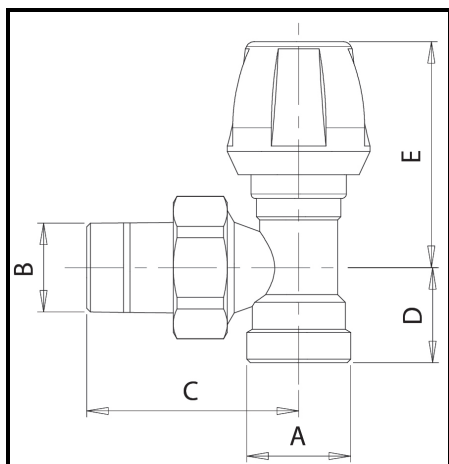
CODE	A	B	C	D	E
82834AC06	24X1,5	G3/8"	47	24	54,5
82834AD06	24X1,5	G1/2"	48,5	24	54,5



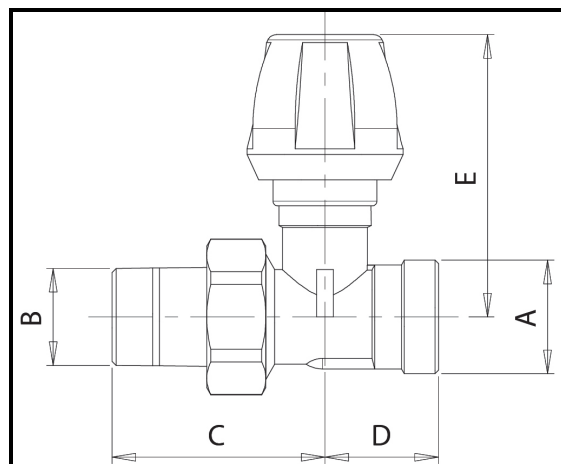
CODE	A	B	C	D	E
82836AC06	G1/2"	G3/8"	50,5	22	52
82836AD06	G1/2"	G1/2"	55	21	52



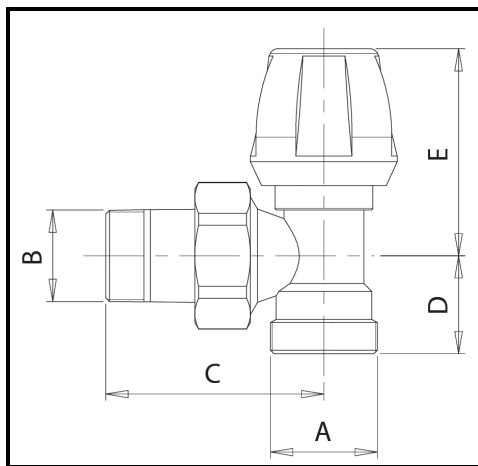
CODE	A	B	C	D	E
82832AC06	24X1,5	G3/8"	51	22	52
82832AD06	24X1,5	G1/2"	52,5	22	52



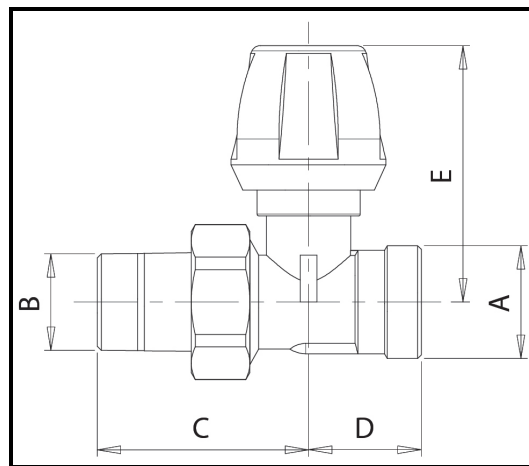
CODE	A	B	C	D	E
82826AC06	G1/2"	G3/8"	47	22	52
82826AD06	G1/2"	24X1,5	49	22	52



CODE	A	B	C	D	E
82828AC06	G1/2"	G3/8"	43,5	24	59,5
82828AD06	24X1,5	G1/2"	45	24	59,5

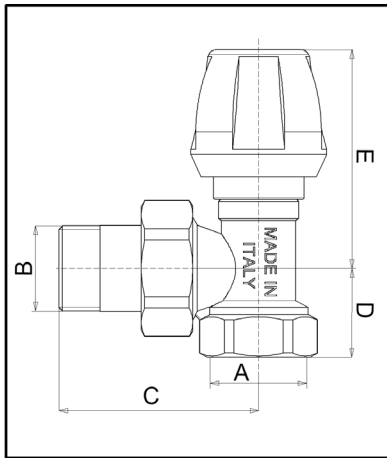


CODE	A	B	C	D	E
82804AC06	G1/2"	G3/8"	47	22	46,5
82804ADAD	G1/2"	G1/2"	51,5	21	46,5
82804AD06	G1/2"	24X1,5	49	22	46,5

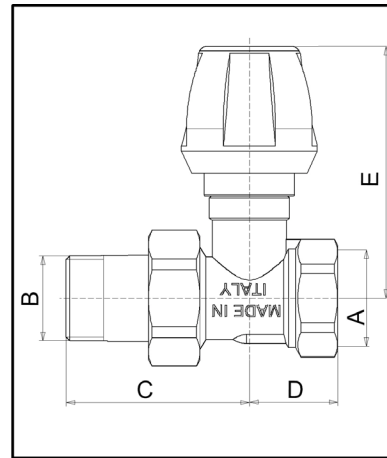


CODE	A	B	C	D	E
82814AC06	G1/2"	G3/8"	43,5	24	54,5
82814AD06	24X1,5	G1/2"	45	24	54,5

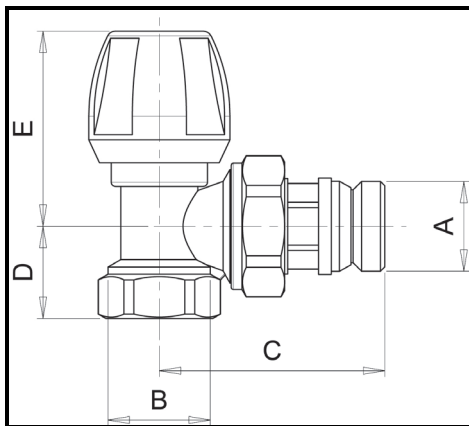
MANUAL VALVES IRON PIPE



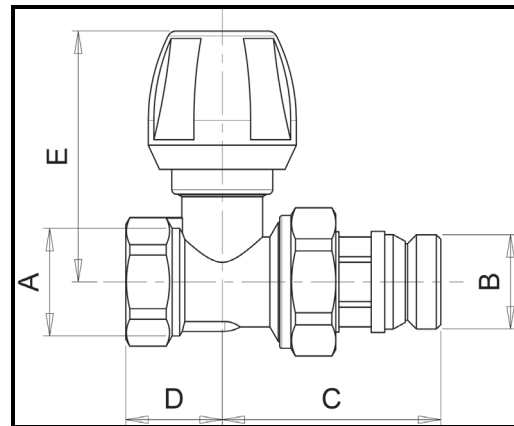
CODE	A	B	C	D	E
82803AC06	G3/8"	G3/8"	47	22	53
82803AD06	G1/2"	G1/2"	49	22	53
82803AE06	G3/4"	G3/4"	57	23	53



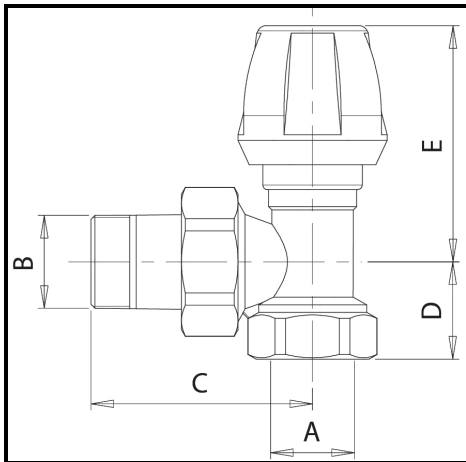
CODE	A	B	C	D	E
82813AC06	G3/8"	G3/8"	44	22	60
82813AD06	G1/2"	G1/2"	45	22	60
82813AE06	G3/4"	G3/4"	53	24	60



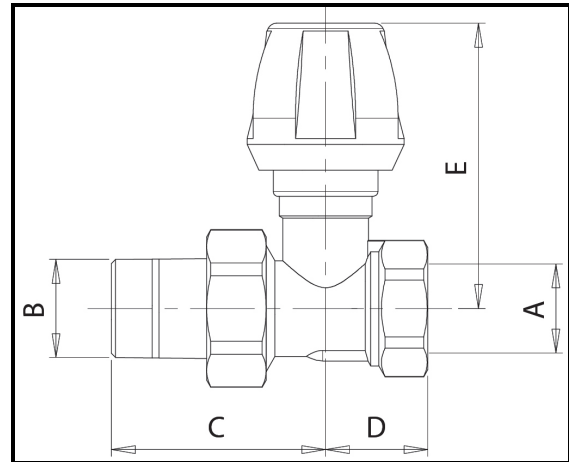
CODE	A	B	C	D	E
82803AD06 940	G1/2"	G1/2"	53	21,5	45,5
82803AE06 940	G3/4"	G3/4"	57	23	48



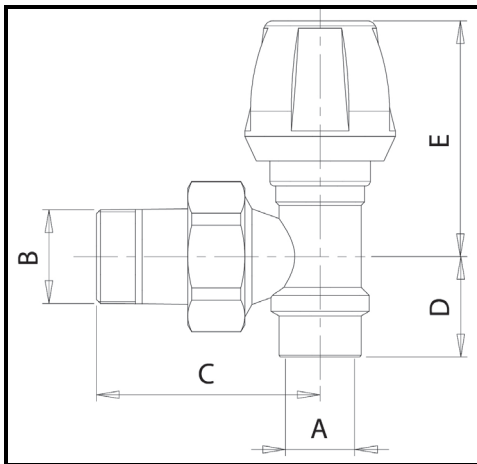
CODE	A	B	C	D	E
82813AD06 940	G1/2"	G1/2"	49	21,5	56
82813AE06 940	G3/4"	G3/4"	53	24	56



CODE	A	B	C	D	E
82802AC06	G3/8"	G3/8"	47	20,5	52
82802AD06	G1/2"	G1/2"	49	21,5	52
82802AE06	G3/4"	G3/4"	57	23	52



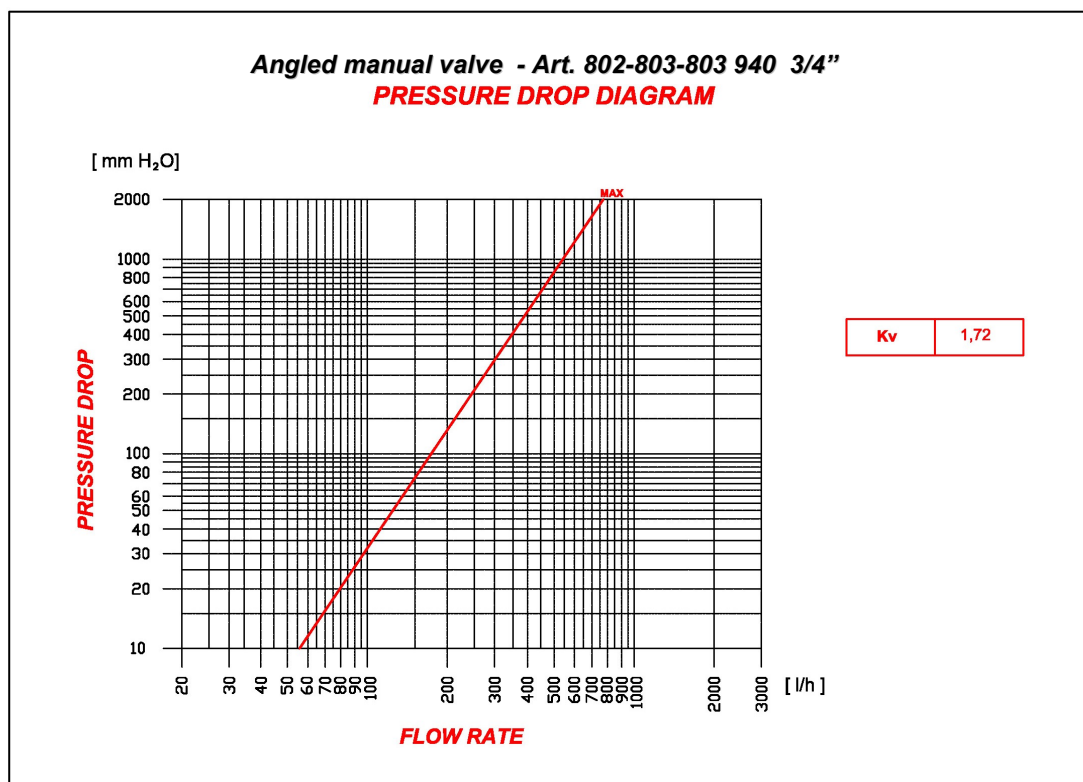
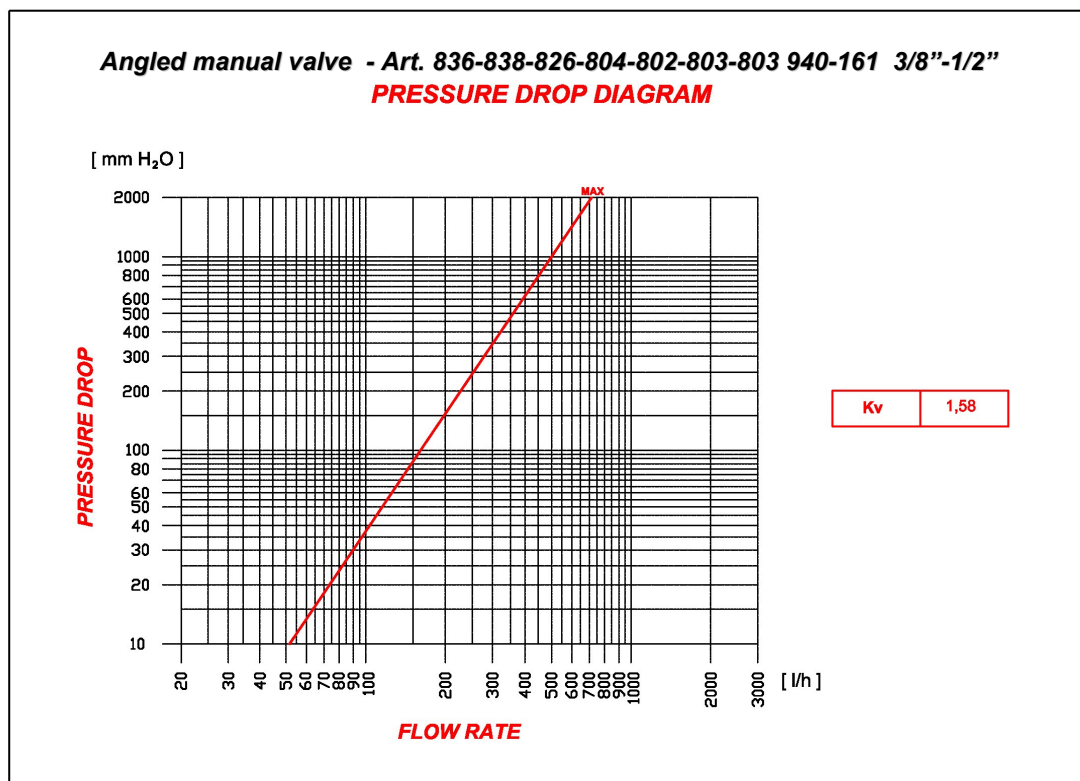
CODE	A	B	C	D	E
82812AC06	G3/8"	G3/8"	43,5	21,5	59,5
82812AD06	G1/2"	G1/2"	45	21,5	59,5
82812AE06	G3/4"	G3/4"	52,5	24	59,5



CODE	A	B	C	D	E
82161GE06	Ø15	G1/2"	49	22	51,5

HYDRAULIC CHARACTERISTICS

ANGLE MANUAL VALVES



STRAIGHT MANUAL VALVES

